

# "Starr" Ladders

## Pier Ladder Assembly Instructions

Included in box:

**For Ladder Assembly**

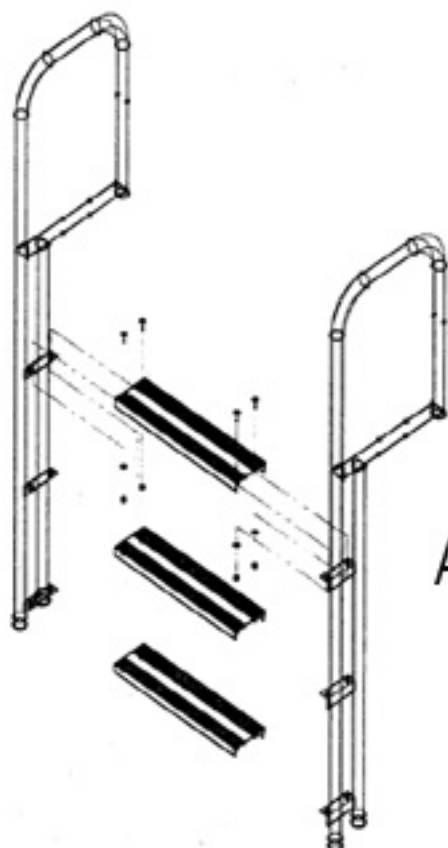
- (12) 1/4" x 3/4" Carriage Bolts
- (12) 1/4" Flat Washers
- (12) 1/4" Locknuts

*Items listed above are for 3-step ladder. Add 4-each for each additional step.*

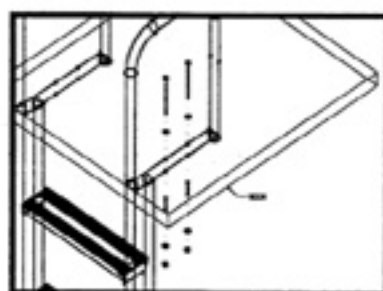
**To Attach to Deck**

- (4) 5/16" x 4" Hex Bolts
- (4) 5/16" Flat Washers
- (4) 5/16" Locknuts

4-Plastic plugs for bottom of ladder

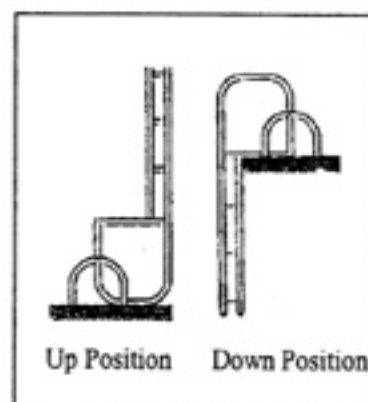


Attaching Ladder to Deck



Available in 3, 4 & 5 step

Flip Kit Option Available  
Converts pier ladder  
to Flip Ladder



# "STARR" LADDERS

BY

**AQUALAND Mfg**

PO BOX 709

WOODRUFF, WI. 54568

800-782-8122, X2 715-356-4469 FAX

[www.aqualandmfg.com](http://www.aqualandmfg.com)